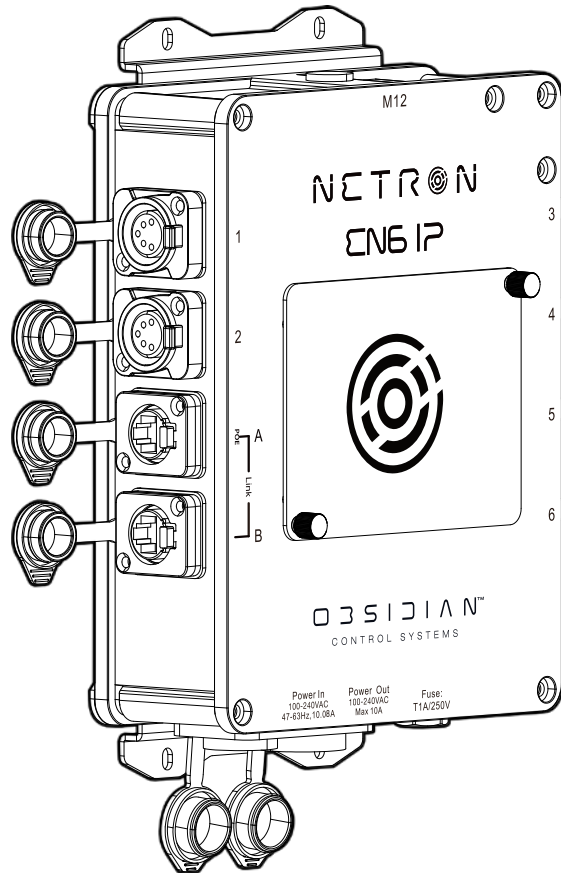


OBSIDIAN™

CONTROL SYSTEMS



NETRON EN6 IP Installation Guide

©2024 **OBSIDIAN CONTROL SYSTEMS** all rights reserved. Information, specifications, diagrams, images, and instructions herein are subject to change without notice. Obsidian Control Systems logo and identifying product names and numbers herein are trademarks of ADJ PRODUCTS LLC. Copyright protection claimed includes all forms and matters of copyrightable materials and information now allowed by statutory or judicial law or hereinafter granted. Product names used in this document may be trademarks or registered trademarks of their respective companies and are hereby acknowledged. All non-ADJ brands and product names are trademarks or registered trademarks of their respective companies.

OBSIDIAN CONTROL SYSTEMS and all affiliated companies hereby disclaim all liabilities for property, equipment, building, and electrical damages, injuries to any persons, and direct or indirect economic loss associated with the use or reliance of any information contained within this document, and/or as a result of the improper, unsafe, insufficient and negligent assembly, installation, rigging, and operation of this product.

ELATION PROFESSIONAL B.V.

Junostraat 2 | 6468 EW Kerkrade, The Netherlands
+31 45 546 85 66

Energy Saving Matters (EuP 2009/125/EC)

Saving electric energy is a key to help protecting the environment. Please turn off all electrical products when they are not in use. To avoid power consumption in idle mode, disconnect all electrical equipment from power when not in use. Thank you!

Document Version: An updated version of this document may be available online.

Please check www.obsidiancontrol.com for the latest revision/update of this document before beginning installation and use.

Date	Document Version	Note
02/14/2024	1	Initial Release

CONTENTS

GENERAL INFORMATION	4
LIMITED WARRANTY	5
IP65 RATED	6
SAFETY GUIDELINES	7
CONNECTIONS	8
INSTALLATION INSTRUCTIONS	10
MAINTENANCE	13
SPECIFICATIONS	14
DIMENSIONS	15
FCC STATEMENT	16

GENERAL INFORMATION

FOR PROFESSIONAL USE ONLY

INTRODUCTION

Please read and understand the instructions in this manual carefully and thoroughly before attempting to operate this device. These instructions contain important safety and use information.

The **Netron EN6 IP** is a powerful Art-Net and sACN to DMX gateway with six RDM compatible ports in a rugged IP66 rated chassis. It is designed for live productions, movie sets, temporary outdoor installations, or interior use with long term protection from humidity, dust and debris.

The EN6 IP unlocks the four Universe **ONYX NOVA Edition**.

KEY FEATURES:

- IP66 Ethernet to DMX Gateway
- RDM, Artnet and sACN support
- Factory and user presets for plug and play setups
- Line Voltage or POE powered
- 1.8" OLED Display and waterproof touch buttons
- 99 Internal cues with fade and delay time
- Remote configuration via internal webpage
- Powder-coated aluminum chassis
- Unlocks ONYX NOVA 4-Universe License

UNPACKING

Every device has been thoroughly tested and has been shipped in perfect operating condition. Carefully check the shipping carton for damage that may have occurred during shipping. If the carton is damaged, carefully inspect the device for damage, and be sure all accessories necessary to install and operate the device have arrived intact. In the event damage has been found or parts are missing, please contact our customer support team for further instructions. Please do not return this device to your dealer without first contacting customer support. Please do not discard the shipping carton in the trash. Please recycle whenever possible.

CUSTOMER SUPPORT

Contact your local Obsidian Controls Systems dealer or distributor for any product related service and support needs.

OBSIDIAN CONTROL SERVICE EUROPE - Monday - Friday 08:30 to 17:00 CET

+31 45 546 85 63 | support@obsidiancontrol.com

OBSIDIAN CONTROL SERVICE USA - Monday - Friday 08:30 to 17:00 PST

+1(844) 999-9942 | support@obsidiancontrol.com

LIMITED WARRANTY

1. Obsidian Control Systems hereby warrants, to the original purchaser, Obsidian Control Systems products to be free of manufacturing defects in material and workmanship for a period of two years (730 days).
2. For warranty service, send the product only to the Obsidian Control Systems service center. All shipping charges must be pre-paid. If the requested repairs or service (including parts replacement) are within the terms of this warranty, Obsidian Control Systems will pay return shipping charges only to a designated point within the United States. If any product is sent, it must be shipped in its original package and packaging material. No accessories should be shipped with the product. If any accessories are shipped with the product, Obsidian Control Systems shall have no liability whatsoever for loss and/or damage to any such accessories, nor for the safe return thereof.
3. This warranty is void if the product serial number and/or labels are altered or removed; if the product is modified in any manner which Obsidian Control Systems concludes, after inspection, affects the reliability of the product; if the product has been repaired or serviced by anyone other than the Obsidian Control Systems factory unless prior written authorization was issued to purchaser by Obsidian Control Systems; if the product is damaged because not properly maintained as set forth in the product instructions, guidelines and/or user manual.
4. This is not a service contract, and this warranty does not include any maintenance, cleaning or periodic check-up. During the periods as specified above, Obsidian Control Systems will replace defective parts at its expense, and will absorb all expenses for warranty service and repair labor by reason of defects in material or workmanship. The sole responsibility of Obsidian Control Systems under this warranty shall be limited to the repair of the product, or replacement thereof, including parts, at the sole discretion of Obsidian Control Systems. All products covered by this warranty were manufactured after January 1, 1990, and bare identifying marks to that effect.
5. Obsidian Control Systems reserves the right to make changes in design and/or performance improvements upon its products without any obligation to include these changes in any products theretofore manufactured.
6. No warranty, whether expressed or implied, is given or made with respect to any accessory supplied with the products described above. Except to the extent prohibited by applicable law, all implied warranties made by Obsidian Control Systems in connection with this product, including warranties of merchantability or fitness, are limited in duration to the warranty periods set forth above. And no warranties, whether expressed or implied, including warranties of merchantability or fitness, shall apply to this product after said periods have expired. The consumer's and/or dealer's sole remedy shall be such repair or replacement as is expressly provided above; and under no circumstances shall Obsidian Control Systems be liable for any loss and/or damage, direct and/or consequential, arising out of the use of, and/or the inability to use, this product.
7. This warranty is the only written warranty applicable to Obsidian Control Systems products and supersedes all prior warranties and written descriptions of warranty terms and conditions heretofore published.
8. Use of software and firmware:
9. To the maximum extent permitted by applicable law, in no event shall Elation or Obsidian Control Systems or its suppliers be liable for any damages whatsoever (including, but not limited to, damages for loss of profits or data, for business interruption, for personal injury or other loss whatsoever) arising out of or in any way related to the use of or inability to use firmware or software, the provision of or failure to provide support or other services, information, firmware, software, and related content through the software or otherwise arising out of the use of any software or firmware, even in the event of the fault, tort (including negligence), misrepresentation, strict liability, breach of warranty of Elation or Obsidian Control Systems or any supplier, and even if Elation or Obsidian Control Systems or any supplier has been advised of the possibility of such damages.

WARRANTY RETURNS: All returned service items, whether under warranty or not, must be freight pre-paid and accompany a return authorization (R.A.) number. The R.A. number must be clearly written on the outside of the return package. A brief description of the problem as well as the R.A. number must also be written down on a piece of paper and included in the shipping container. If the unit is under warranty, you must provide a copy of your proof of purchase invoice. Items returned without a R.A. number clearly marked on the outside of the package will be refused and returned at customer's expense. You may obtain a R.A. number by contacting customer support.

IP66 RATED

The **International Protection (IP)** rating system is commonly expressed as “**IP**” (Ingress Protection) followed by two numbers (i.e. IP65), where the numbers define the degree of protection. The first digit (Foreign Bodies Protection) indicates the extent of protection against particles entering the fixture, and the second digit (Water Protection) indicates the extent of protection against water entering the fixture. An **IP66** rated lighting fixture is designed and tested to protect against the ingress of dust (**6**), and high-pressure water jets from any direction (**6**).

NOTE: THIS FIXTURE IS INTENDED FOR TEMPORARY OUTDOOR USE ONLY!

Maritime/Coastal Environment Installations: A coastal environment is seaside adjacent, and caustic to electronics through exposure to atomized salt-water and humidity, whereas maritime is anywhere within 5-miles of a coastal environment.



NOT suitable for maritime/coastal environment installations. Installing this device in a maritime/coastal environment may cause corrosion and/or excessive wear to the interior and/or exterior components of the device. Damages and/or performance issues resulting from installation in a maritime/coastal environment will void the manufactures warranty, and will NOT be subject to any warranty claims and/or repairs.

SAFETY GUIDELINES

This device is a sophisticated piece of electronic equipment. To guarantee a smooth operation, it is important to follow all instructions and guidelines in this manual. OBSIDIAN CONTROL SYSTEMS is not responsible for injury and/or damages resulting from the misuse of this device due to the disregard of the information printed in this manual. Only the original included parts and/or accessories for this device should be used. Any modifications to the device, included and/or accessories will void the original manufacturer's warranty and increase the risk of damage and/or personal injury.



PROTECTION CLASS 1 – DEVICE MUST BE PROPERLY GROUNDED



DO NOT ATTEMPT TO USE THIS DEVICE WITHOUT BEING FULLY TRAINED ON HOW TO USE IT. ANY DAMAGES OR REPAIRS TO THIS DEVICE OR ANY LIGHTING FIXTURES CONTROLLED BY THIS DEVICE RESULTING FROM IMPROPER USE, AND/OR THE DISREGARD OF THE SAFETY AND OPERATION GUIDELINES IN THIS DOCUMENT VOIDS THE OBSIDIAN CONTROL SYSTEMS WARRANTY, AND ARE NOT SUBJECT TO ANY WARRANTY CLAIMS AND/OR REPAIRS, AND MAY ALSO VOID THE WARRANTY FOR ANY NON-OBSIDIAN CONTROL SYSTEMS DEVICES. KEEP FLAMMABLE MATERIALS AWAY FROM DEVICE.

DISCONNECT the device from AC power before removing fuses or any part, and when not in use.

Always electrically ground this device.

Use only a source of AC power that complies with local building and electrical codes and has both overload and ground-fault protection.

Do not expose the device to rain or moisture.

Never attempt to bypass fuses. Always replace defective fuses with ones of the specified type and rating.

Refer all service to a qualified technician.

Do not modify the device or install other than genuine NETRON parts.

CAUTION: Risk of Fire and Electrical Shock. Use only in dry locations.

AVOID brute force handling when transporting or operating.

DO NOT expose any part of the device to open flame or smoke. Keep device away from heat sources such as radiators, heat registers, stoves, or other appliances (including amplifiers) that produce heat.

DO NOT use device in extreme and/or severe environments.

Replace fuses with ones of the same type and rating only. Never attempt to bypass a fuse. Unit provided with a single fuse in Line side.

DO NOT operate device if power cord is frayed, crimped, damaged and/or if any of the power cord connectors are damaged, and does not insert into the device securely with ease. NEVER force a power cord connector into device. If the power cord or any of its connectors are damaged, replace it immediately with a new one of similar power rating.

Strictly use a source of AC power that complies with local building and electrical codes and has both overload and ground-fault protection. Use only the provided AC power supply and power cords and the correct connector for the country of operation. Use of the factory provided power cable is mandatory for operation in the US and Canada.

Allow free unobstructed airflow to the bottom and back of the product. Do not block the ventilation slots.

DO NOT use the product if the ambient temperature exceeds 40°C (104° F)

Transport the product only in suitable packaging or a custom fitted road case. Transportation damage is not covered under warranty.

CONNECTIONS

AC CONNECTION



The Obsidian Control Systems NETRON EN6 IP is rated 100-240V. Do not connect it to power outside this range. Damage resulting from incorrect connection is not covered under warranty.

North America: A cable with a NEMA 15-5P plug is provided for use with the EN12i in the USA and Canada. This approved cable must be used in North America.

Rest of the world: The provided cable is not fitted with a country-specific plug. Install only a plug that meets local and or national electrical codes and is suitable for the country's specific requirements.



A 3-prong grounded-type (earthed type) plug must be installed following the plug manufacturer's instructions.

DMX CONNECTION:

All DMX Output connections are 5pin female XLR; the pin-out on all sockets is pin 1 to shield, pin 2 to cold (-), and pin 3 to hot (+). Pins 4 and 5 are not used.

Carefully connect DMX cables to the respective ports.

To prevent damaging the DMX ports, provide strain relief and support. Avoid connecting FOH Snakes to the ports directly.

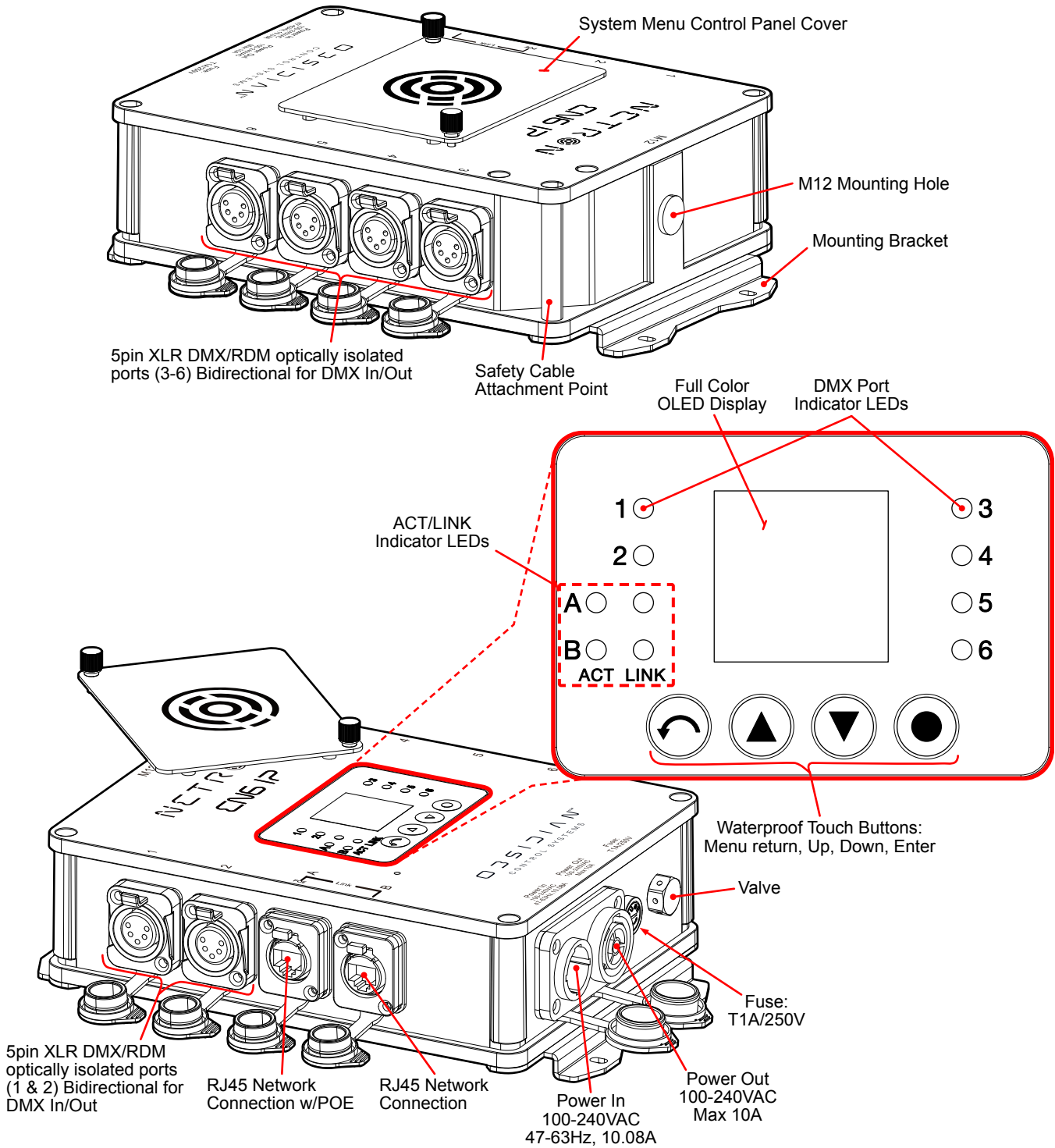
Pin	Connection
1	Com
2	Data -
3	Data +
4	Not connected
5	Not connected

ETHERNET DATA CONNECTIONS

The Ethernet cable is connected on the back of the gateway into the port labeled A or B. Devices can be daisy chained, but it is recommended not to exceed 10 Netron devices in one chain. Because these devices use locking RJ45 connectors, and the use of locking RJ45 ethernet cables is recommended, any RJ45 connector is suitable..

The Ethernet connection is also used to connect a computer to the Netron device for remote configuration via a web browser. To access the web interface, simply enter the IP address shown in the display in any web browser connected to the device. Information about the web access can be found in the manual.

CONNECTIONS



LED Color	Solid	Blink	Flashing/Strobing
DMX PORTS RGB	Error		
DMX PORTS RGB	DMX In	DMX Lost	
DMX PORTS RGB	DMX Out	DMX Lost	
DMX PORTS WHITE			Flash on RDM packets

All LEDs are dimmable and can be turned off via the Menu/System/Display menu.

INSTALLATION INSTRUCTIONS



DISCONNECT POWER BEFORE PERFORMING ANY MAINTENANCE!



ELECTRICAL CONNECTIONS

A qualified electrician should be used for all electrical connections and/or installations.



USE CAUTION WHEN POWER LINKING OTHER MODEL DEVICES AS THE POWER CONSUMPTION OF OTHER MODEL DEVICES MAY EXCEED THE MAXIMUM POWER OUTPUT OF THIS DEVICE. CHECK SILK SCREEN FOR MAXIMUM AMPS.

Device **MUST** be installed following all local, national, and country commercial electrical and construction codes and regulations.

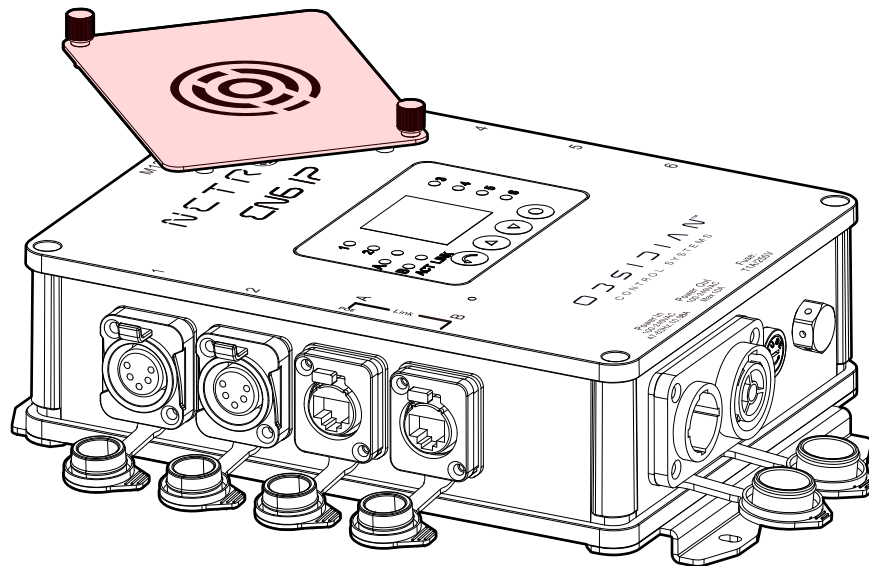


ALWAYS ATTACH A SAFETY CABLE WHENEVER INSTALLING THIS DEVICE IN A SUSPENDED ENVIRONMENT TO ENSURE THE DEVICE WILL NOT DROP IF THE CLAMP FAILS. Overhead device installation must always be secured with a secondary safety attachment, such as an appropriately rated safety cable that can hold 10 times the weight of the device.



REMOVABLE PROTECTIVE COVER

The metal cover is solely for safeguarding the glass display against mechanical damage. While it is not necessary for the IP protection of the EN6 IP, it is advisable to leave it installed after the unit is set up.

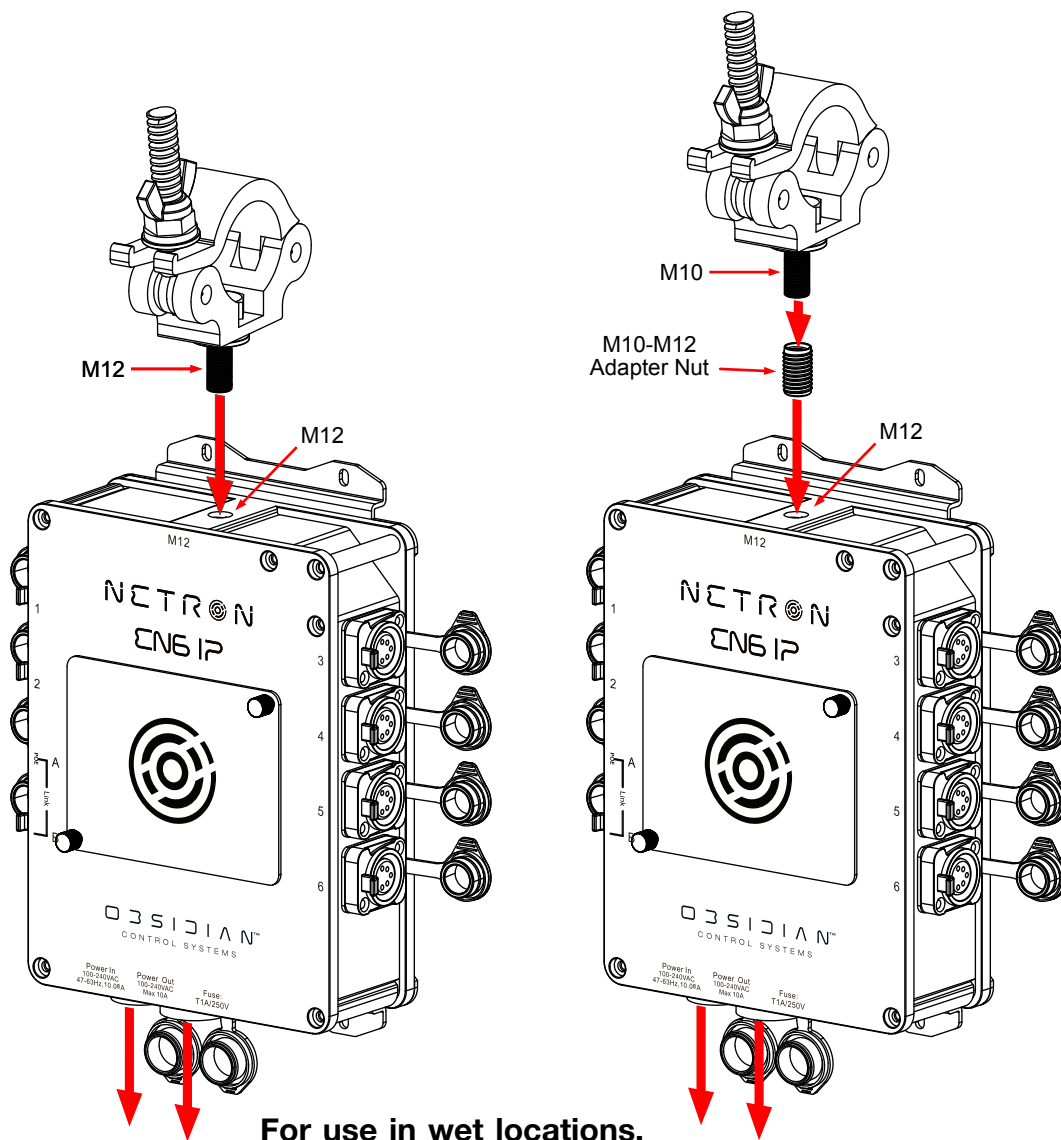


INSTALLATION INSTRUCTIONS

TRUSS MOUNTED WITH CLAMP

This unit can be truss mounted using either an M10 or M12 bolt. For the M12 bolt, as shown on the left, simply insert the bolt through a properly rated mounting clamp, then thread the bolt into the matching mounting hole on the side of the device and tighten securely. For an M10 bolt, as shown on the right, insert the included adapter nut into the mounting hole on the device, then thread in your M10 bolt. The clamp can now be used to secure the device to a truss. Always use a clamp that has been rated to support the weight of the device and any associated accessories.

PLEASE NOTE THAT ALL UNUSED CONNECTION PORTS SHOULD BE SEALED USING THE INCLUDED PORT CAPS IN ORDER TO MAINTAIN IP66 RATING!



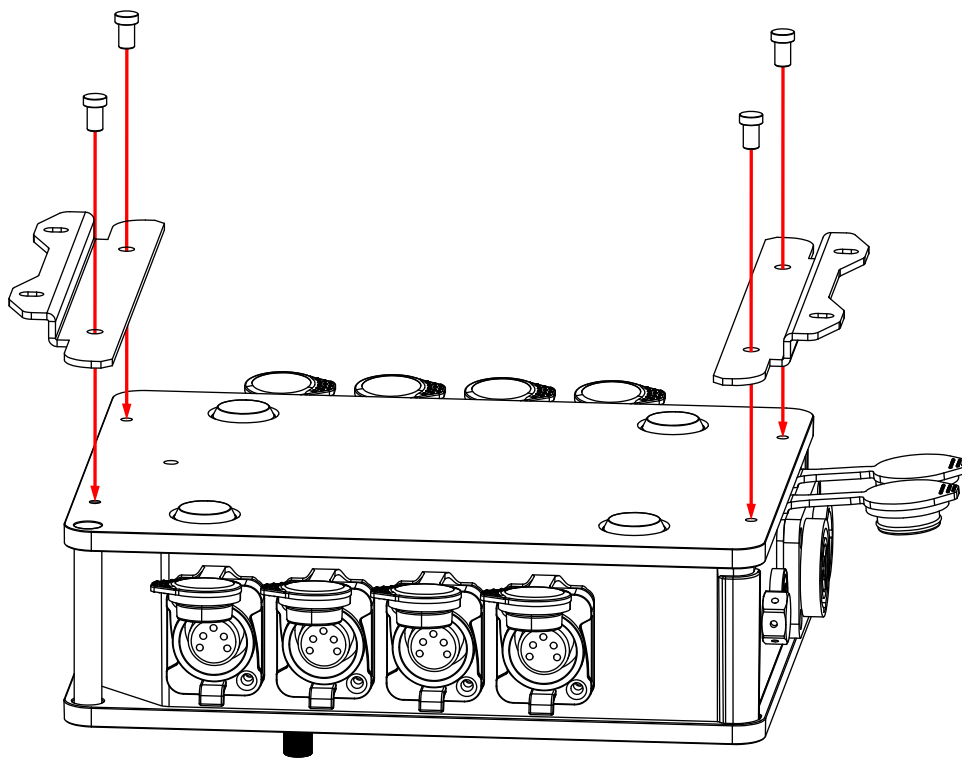
**For use in wet locations.
Mount the EN6 IP with
the power connections
facing down.**

INSTALLATION INSTRUCTIONS

WALL MOUNTED

Flip the device over to expose the mounting holes on the bottom face. Align the circular holes on the wide flange section of each Wall Mounting Bracket (included) to the Mounting Holes on each side of the device, then insert the screws (included) to secure the wall Mounting Brackets in place. Refer to the illustration below. The elongated holes on the narrow flange of each bracket can then be used to secure the device to a wall. Always make sure that the mounting surface is certified to support the weight of the device and any associated accessories.

PLEASE NOTE THAT ALL UNUSED CONNECTION PORTS SHOULD BE SEALED USING THE INCLUDED PORT CAPS IN ORDER TO MAINTAIN IP66 RATING!



MAINTENANCE

The Obsidian Control Systems Netron **EN6 IP** is designed as rugged, roadworthy device. The only required service is periodic cleaning of external surfaces. For other service-related concerns, please contact your Obsidian Control Systems dealer, or visit www.obsidiancontrol.com.

Any service that is not described in this guide must be carried out by a trained and qualified Obsidian Control Systems technician.

The frequency of cleaning depends on the environment in which the device operates. An Obsidian Control Systems technician can provide recommendations if necessary.

Never spray cleaner directly onto the device surface. Instead, cleaner should always be sprayed into a lint-free cloth, which can then be used to wipe surfaces clean. Consider using cleaning products designed for cellphone and tablet devices.



Important! Excessive dust, dirt, smoke, fluid build-up, and other materials can degrade the performance of the device, causing overheating and damage to the unit that is not covered by the warranty.

SPECIFICATIONS

Mounting:

- Standalone
- Truss-mount (M10 or M12)
- Wall-mount

Connections:

Front:

- Full color OLED display
- Status feedback LEDs
- 4 menu select buttons

Bottom

- Locking IP65 Power In/Thru
- Fuse Holder
- Vent

Left:

- (2) 5pin IP65 DMX/RDM optically isolated ports
- Ports are bidirectional for DMX In and Output
- (2) Locking IP65 RJ45 Ethernet network connections (1x POE)

Right

- (4) 5pin DMX/RDM optically isolated ports
- Ports are bidirectional for DMX In and Output

Physical

- Length: 8.0" (204mm)
- Width: 7.1" (179mm)
- Height: 2.4" (60.8mm)
- Weight: 2 kg (4.41 lbs)

Electrical

- 100-240 V nominal, 50/60 Hz
- POE 802.3af
- Power Consumption: 6W

Approvals / Ratings

- cETLus / CE / UKCA / IP66

Ordering:

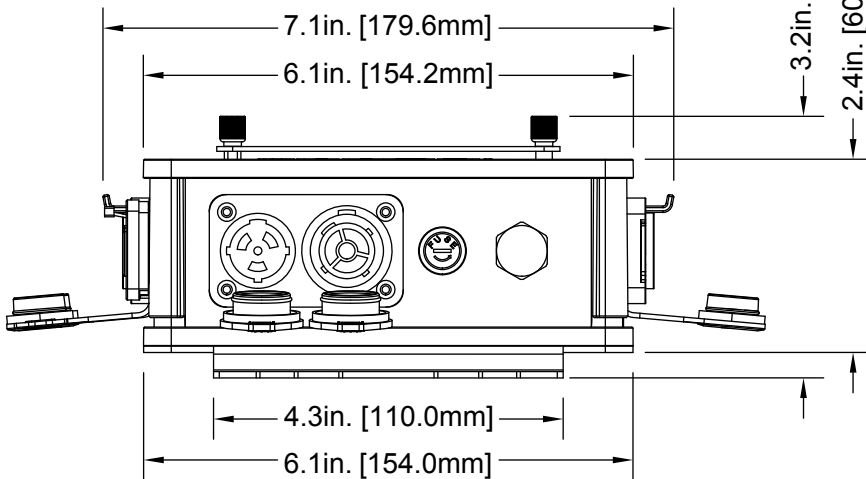
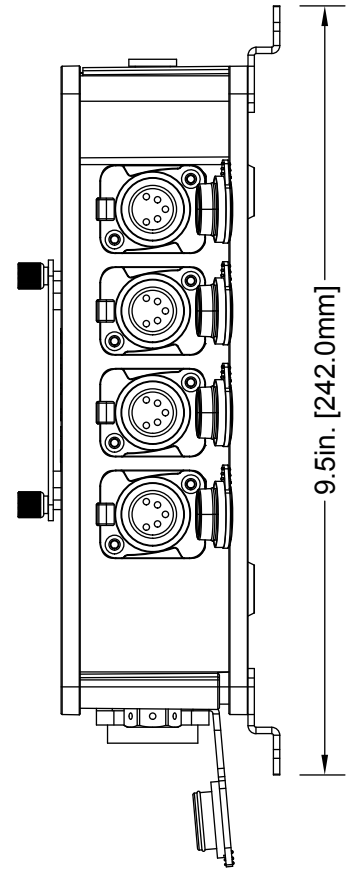
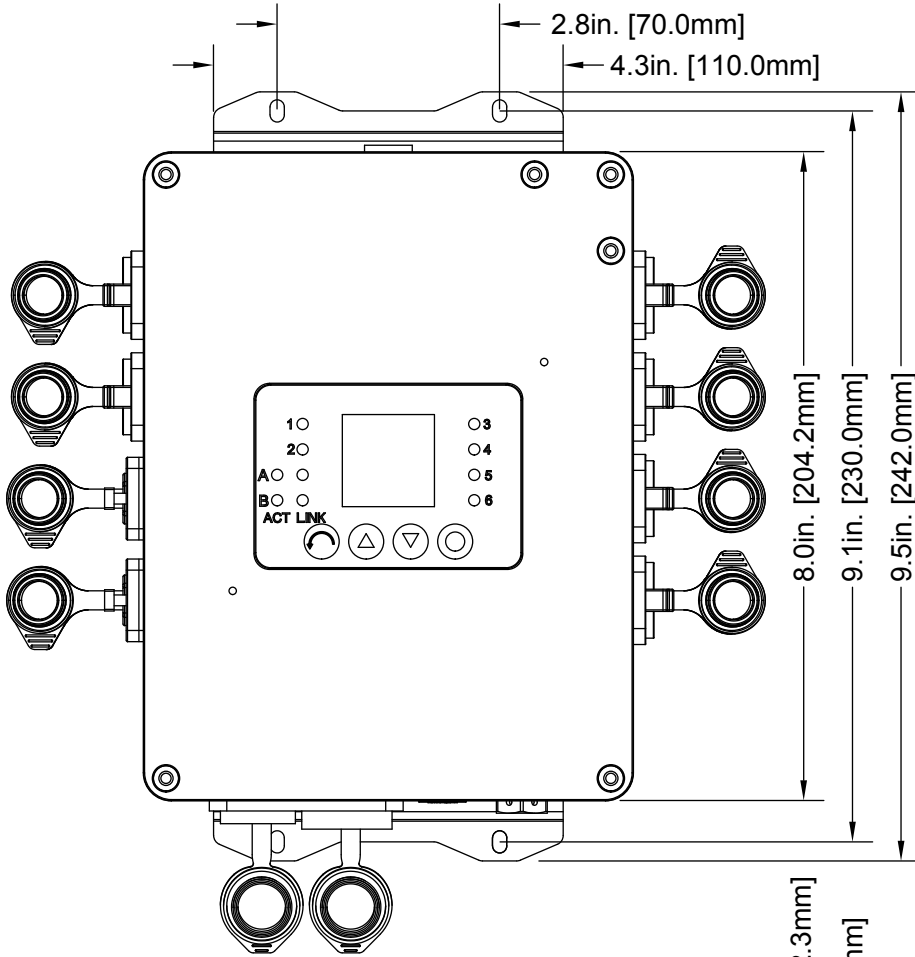
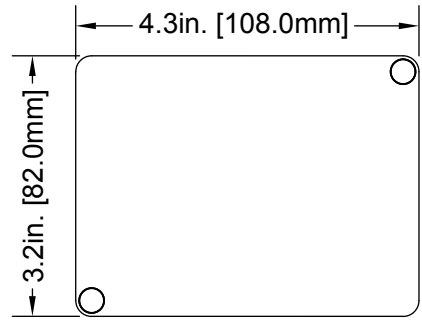
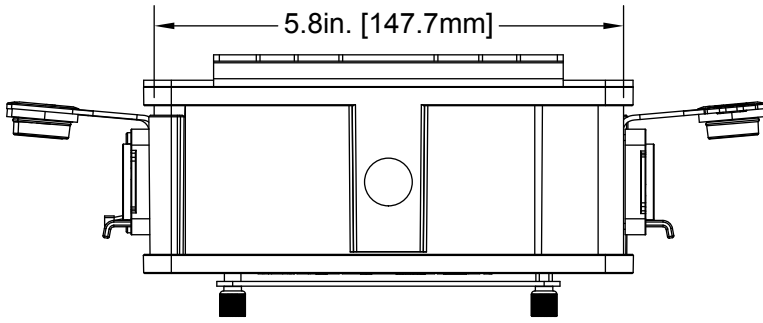
Included Items

- (2) Wall Mount brackets
- (1) M12 to M10 nut
- 1.5m IP65 locking power cable (EU or US version))
- Metal display protection cover

SKU

- US #: NIP013
- EU #: 1330000084

DIMENSIONS



FCC STATEMENT

FCC Class A Warning:

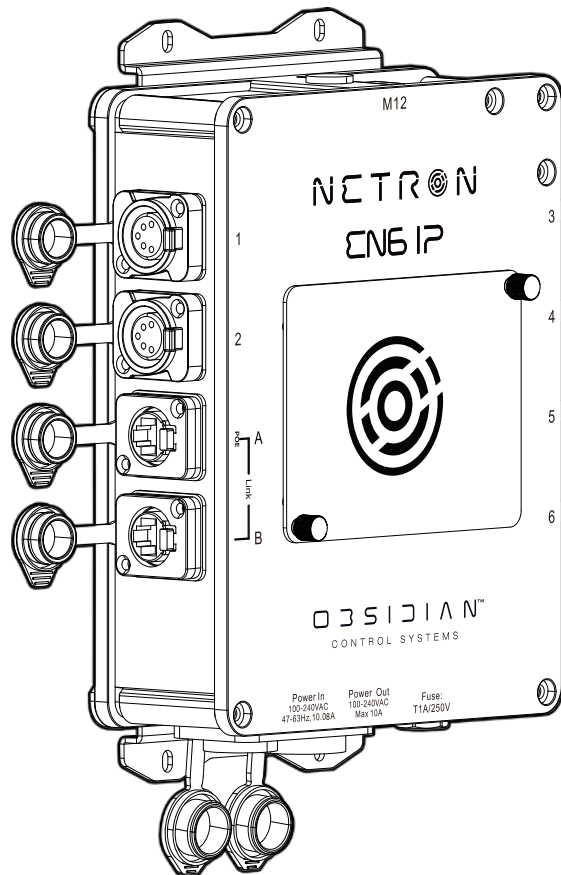
Please note that changes or modifications of this product that are not expressly approved by the party responsible for compliance could void the user's authority to operate this equipment.

NOTE: This equipment has been tested and found to comply with the limits for a Class A digital device, pursuant to part 15 of the FCC Rules. These limits are designed to provide reasonable protection against harmful interference when the equipment is operated in a commercial environment. This equipment generates, uses, and can radiate radio frequency energy and, if not installed and used in accordance with the instruction manual, may cause harmful interference to radio communications. Operation of this equipment in a residential area is likely to cause harmful interference, in which case the user will be required to correct the interference at his or her own expense.



OBSIDIAN™

CONTROL SYSTEMS



NETRON EN6 IP Guide d'installation

©2024 **SYSTÈMES DE CONTRÔLE D'OBSIDIAN** tous les droits sont réservés. Les informations, spécifications, schémas, images et instructions contenus dans le présent document sont susceptibles d'être modifiés sans préavis. Le logo Obsidian Control Systems et les noms et numéros d'identification des produits dans le présent document sont des marques commerciales d'ADJ PRODUCTS LLC. La protection du droit d'auteur revendiquée comprend toutes les formes et toutes les questions de matériel et d'informations protégées par le droit d'auteur désormais autorisées par la loi statutaire ou judiciaire ou accordées ci-après. Les noms de produits utilisés dans ce document peuvent être des marques commerciales ou des marques déposées de leurs sociétés respectives et sont reconnus par la présente. Toutes les marques et noms de produits non-ADJ sont des marques commerciales ou des marques déposées de leurs sociétés respectives.

SYSTÈMES DE CONTRÔLE D'OBSIDIAN et toutes les sociétés affiliées déclinent par la présente toute responsabilité pour les dommages aux biens, équipements, bâtiments et électriques, blessures à toute personne et pertes économiques directes ou indirectes associées à l'utilisation ou à la fiabilité de toute information contenue dans ce document, et/ou en conséquence de l'assemblage, de l'installation, du montage et du fonctionnement inappropriés, dangereux, insuffisants et négligents de ce produit.

RELATION PROFESSIONNEL BV

Rue Juno 2 | 6468 EW Kerkrade, Pays-Bas

+ 31 45 546 85 66

DÉCLARATION DE LA FCC

Questions d'économie d'énergie (EuP 2009/125/CE)

L'économie d'énergie électrique est une clé pour aider à protéger l'environnement. Veuillez éteindre tous les produits électriques lorsqu'ils ne sont pas utilisés. Pour éviter la consommation d'énergie en mode veille, débranchez tous les équipements électriques de l'alimentation lorsqu'ils ne sont pas utilisés. Merci!

Version du document : Une version mise à jour de ce document peut être disponible en ligne. Vérifiez s'il vous plaît www.obsidiancontrol.com pour la dernière révision/mise à jour de ce document avant de commencer l'installation et l'utilisation.

Date	Version du document	Note
02/14/2024	1	Première version

CONTENU

INFORMATIONS GÉNÉRALES	4
GARANTIE LIMITÉE	5
CLASSÉ IP65	6
LIGNES DIRECTRICES DE SÉCURITÉ	7
CONNEXIONS	8
INSTRUCTIONS D'INSTALLATION	10
MAINTENANCE	13
CARACTÉRISTIQUES	14
DIMENSIONS	15
DÉCLARATION DE LA FCC	16

INFORMATIONS GÉNÉRALES

POUR USAGE PROFESSIONNEL SEULEMENT

INTRODUCTION

Veillez lire et comprendre attentivement les instructions de ce manuel avant d'essayer d'utiliser cet appareil. Ces instructions contiennent des informations importantes sur la sécurité et l'utilisation.

Le **Netron EN6 IP** est une puissante passerelle Art-Net et sACN vers DMX avec six ports compatibles RDM dans un châssis robuste classé IP66. Il est conçu pour les productions en direct, les plateaux de tournage, les installations temporaires en extérieur ou pour une utilisation intérieure avec une protection à long terme contre l'humidité, la poussière et les débris.

L'IP EN6 déverrouille les quatre univers **ONYX NOVA Edition**.

PRINCIPALES CARACTÉRISTIQUES:

- Passerelle Ethernet IP66 vers DMX
- Prise en charge de RDM, Artnet et sACN
- Préréglages d'usine et utilisateur pour les configurations plug and play
- Alimenté par tension de ligne ou POE
- Écran OLED de 1,8 pouces et boutons tactiles étanches
- 99 repères internes avec temps de fondu et de retard
- Configuration à distance via la page Web interne
- Châssis en aluminium thermolaqué
- Débloque la licence ONYX NOVA 4-Universe

DÉBALLAGE

Chaque appareil a été minutieusement testé et a été expédié en parfait état de fonctionnement. Vérifiez soigneusement que le carton d'expédition n'a pas été endommagé pendant l'expédition. Si le carton est endommagé, inspectez soigneusement l'appareil pour détecter tout dommage et assurez-vous que tous les accessoires nécessaires à l'installation et à l'utilisation de l'appareil sont arrivés intacts. Dans le cas où des dommages ont été trouvés ou des pièces sont manquantes, veuillez contacter notre équipe de support client pour plus d'instructions. Veuillez ne pas retourner cet appareil à votre revendeur sans avoir d'abord contacté le service client. Veuillez ne pas jeter le carton d'expédition à la poubelle. Veuillez recycler dans la mesure du possible.

SERVICE CLIENT

Contactez votre revendeur ou distributeur local Obsidian Controls Systems pour tout besoin de service et d'assistance lié au produit.

OBSIDIAN CONTROL SERVICE EUROPE -Du lundi au vendredi de 08h30 à 17h00 CET

+31 45 546 85 63 | support@obsidiancontrol.com

OBSIDIAN CONTROL SERVICE USA -Du lundi au vendredi de 08h30 à 17h00 PST

+1(844) 999-9942 | support@obsidiancontrol.com

GARANTIE LIMITÉE

1. Obsidian Control Systems garantit par la présente, à l'acheteur d'origine, que les produits Obsidian Control Systems sont exempts de défauts de fabrication de matériaux et de fabrication pendant une période de deux ans (730 jours).
2. Pour le service de garantie, envoyez le produit uniquement au centre de service Obsidian Control Systems. Tous les frais d'expédition doivent être prépayés. Si les réparations ou le service demandés (y compris le remplacement de pièces) entrent dans les termes de cette garantie, Obsidian Control Systems paiera les frais d'expédition de retour uniquement vers un point désigné aux États-Unis. Si un produit est envoyé, il doit être expédié dans son emballage et son emballage d'origine. Aucun accessoire ne doit être expédié avec le produit. Si des accessoires sont expédiés avec le produit, Obsidian Control Systems n'assumera aucune responsabilité pour la perte et/ou l'endommagement de ces accessoires, ni pour leur retour en toute sécurité.
3. Cette garantie est nulle si le numéro de série du produit et/ou les étiquettes sont modifiés ou supprimés ; si le produit est modifié d'une manière dont Obsidian Control Systems conclut, après inspection, qu'elle affecte la fiabilité du produit ; si le produit a été réparé ou entretenu par quelqu'un d'autre que l'usine Obsidian Control Systems, à moins qu'une autorisation écrite préalable n'ait été délivrée à l'acheteur par Obsidian Control Systems ; si le produit est endommagé parce qu'il n'est pas correctement entretenu comme indiqué dans les instructions, les directives et/ou le manuel d'utilisation du produit.
4. Ceci n'est pas un contrat de service et cette garantie n'inclut aucun entretien, nettoyage ou contrôle périodique. Pendant les périodes spécifiées ci-dessus, Obsidian Control Systems remplacera les pièces défectueuses à ses frais, et absorbera toutes les dépenses pour le service de garantie et la main-d'œuvre de réparation en raison de défauts de matériaux ou de fabrication. La seule responsabilité d'Obsidian Control Systems en vertu de cette garantie sera limitée à la réparation du produit ou à son remplacement, y compris les pièces, à la seule discrétion d'Obsidian Control Systems. Tous les produits couverts par cette garantie ont été fabriqués après le 1er janvier 1990 et ne portaient aucune marque d'identification à cet effet.
5. Obsidian Control Systems se réserve le droit d'apporter des modifications à la conception et/ou à l'amélioration des performances de ses produits sans aucune obligation d'inclure ces modifications dans les produits fabriqués jusqu'à présent.
6. Aucune garantie, expresse ou implicite, n'est donnée ou faite à l'égard de tout accessoire fourni avec les produits décrits ci-dessus. Sauf dans la mesure interdite par la loi en vigueur, toutes les garanties implicites faites par Obsidian Control Systems en relation avec ce produit, y compris les garanties de qualité marchande ou d'adéquation, sont limitées en durée aux périodes de garantie énoncées ci-dessus. Et aucune garantie, expresse ou implicite, y compris les garanties de qualité marchande ou d'adéquation, ne s'appliquera à ce produit après l'expiration desdites périodes. Le seul recours du consommateur et/ou du revendeur sera une réparation ou un remplacement tel qu'expressément prévu ci-dessus ; et en aucun cas Obsidian Control Systems ne pourra être tenu responsable de toute perte et/ou dommage, direct et/ou consécutif, résultant de l'utilisation et/ou de l'impossibilité d'utiliser,
7. Cette garantie est la seule garantie écrite applicable aux produits Obsidian Control Systems et remplace toutes les garanties antérieures et les descriptions écrites des termes et conditions de garantie publiés jusqu'à présent.
8. Utilisation du logiciel et du micrologiciel :
9. Dans toute la mesure permise par la loi applicable, en aucun cas Elation ou Obsidian Control Systems ou ses fournisseurs ne pourront être tenus responsables de quelque dommage que ce soit (y compris, mais sans s'y limiter, des dommages pour perte de bénéfices ou de données, pour interruption d'activité, pour dommages corporels ou autres pertes de quelque nature que ce soit) résultant de ou liés de quelque manière que ce soit à l'utilisation ou à l'impossibilité d'utiliser un micrologiciel ou un logiciel, la prestation ou l'absence de prestation d'assistance ou d'autres services, informations, micrologiciels, logiciels et contenu connexe via le logiciel ou résultant de l'utilisation de tout logiciel ou micrologiciel, même en cas de faute, délit (y compris la négligence), fausse déclaration, responsabilité stricte, violation de la garantie d'Elation ou d'Obsidian Control Systems ou de tout fournisseur, et même si Elation ou Obsidian Control Systems ou tout fournisseur a été informé de la possibilité de tels dommages.

RETOURS DE GARANTIE: Tous les articles de service retournés, qu'ils soient sous garantie ou non, doivent être prépayés et accompagnés d'un numéro d'autorisation de retour (RA). Le numéro RA doit être clairement inscrit à l'extérieur du colis de retour. Une brève description du problème ainsi que le numéro RA doivent également être écrits sur un morceau de papier et inclus dans la boîte d'expédition. Si l'appareil est sous garantie, vous devez fournir une copie de votre facture de preuve d'achat. Articles retournés sans Le numéro RA clairement indiqué à l'extérieur du colis sera refusé et retourné aux frais du client. Vous pouvez obtenir un numéro RA en contactant le service client.

CLASSÉ IP66

Le système d'évaluation de la protection internationale (IP) est communément exprimé par "IP" (Ingress Protection) suivi de deux chiffres (c'est-à-dire IP65), où les chiffres définissent le degré de protection. Le premier chiffre (Protection contre les corps étrangers) indique le degré de protection contre les particules pénétrant dans le luminaire, et le deuxième chiffre (Protection contre l'eau) indique le degré de protection contre l'eau pénétrant dans le luminaire. **Un luminaire classé IP66 est conçu et testé pour protéger contre la pénétration de la poussière (6) et des jets d'eau à haute pression provenant de toutes les directions (6).**

REMARQUE : CE LUMINAIRE EST DESTINÉ À UNE UTILISATION TEMPORAIRE À L'EXTÉRIEUR UNIQUEMENT !

Installations pour environnement maritime/côtier : Un environnement côtier est adjacent au bord de mer et est caustique pour l'électronique en raison de l'exposition à l'eau salée atomisée et à l'humidité, tandis que le milieu maritime se trouve n'importe où à moins de 5 milles d'un environnement côtier.



NE convient PAS aux installations en environnement maritime/côtier. L'installation de cet appareil dans un environnement maritime/côtier peut provoquer de la corrosion et/ou une usure excessive des composants intérieurs et/ou extérieurs de l'appareil. Les dommages et/ou les problèmes de performances résultant de l'installation dans un environnement maritime/côtier annuleront la garantie du fabricant et ne feront l'objet d'aucune réclamation au titre de la garantie et/ou de réparations.

LIGNES DIRECTRICES DE SÉCURITÉ

Cet appareil est un équipement électronique sophistiqué. Pour garantir un bon fonctionnement, il est important de suivre toutes les instructions et directives de ce manuel. OBSIDIAN CONTROL SYSTEMS n'est pas responsable des blessures et/ou des dommages résultant d'une mauvaise utilisation de cet appareil en raison du non-respect des informations imprimées dans ce manuel. Seuls les pièces et/ou accessoires d'origine inclus pour cet appareil doivent être utilisés. Toute modification apportée à l'appareil, inclus et/ou accessoires annulera la garantie d'origine du fabricant et augmentera le risque de dommages et/ou de blessures corporelles.



CLASSE DE PROTECTION 1 – L'APPAREIL DOIT ÊTRE CORRECTEMENT MIS À LA TERRE



N'ESSEYEZ PAS D'UTILISER CET APPAREIL SANS ÊTRE COMPLÈTEMENT FORMÉ SUR COMMENT L'UTILISER. TOUT DOMMAGE OU RÉPARATION À CET APPAREIL OU À TOUT APPAREIL D'ÉCLAIRAGE CONTRÔLÉ PAR CET APPAREIL RÉSULTANT D'UNE MAUVAISE UTILISATION ET/OU DU NON-RESPECT DES CONSIGNES DE SÉCURITÉ ET DE FONCTIONNEMENT DANS CE DOCUMENT ANNULE LA GARANTIE DES SYSTÈMES DE CONTRÔLÉ OBSIDIAN, ET NE FAIT L'OBJET D'AUCUNE RÉCLAMATION ET GARANTIE / OU RÉPARATIONS, ET PEUVENT ÉGALEMENT ANNULER LA GARANTIE POUR TOUT DISPOSITIF DE SYSTÈME DE CONTRÔLÉ NON OBSIDIAN.

GARDER LES MATIÈRES INFLAMMABLES À L'ÉCART DE L'APPAREIL.

DÉCONNECTEZ l'appareil de l'alimentation secteur avant de retirer les fusibles ou toute pièce, et lorsqu'il n'est pas utilisé. Mettez toujours cet appareil à la terre électriquement.

Utilisez uniquement une source d'alimentation CA conforme aux codes locaux du bâtiment et de l'électricité et dotée d'une protection contre les surcharges et les défauts à la terre.

N'exposez pas l'appareil à la pluie ou à l'humidité.

N'essayez jamais de contourner les fusibles. Remplacez toujours les fusibles défectueux par des fusibles du type et du calibre spécifiés.

Confiez tout service à un technicien qualifié.

Ne modifiez pas l'appareil ou n'installez pas d'autres pièces que des pièces NETRON d'origine. AVERTISSEMENT: Risque d'incendie et de choc électrique. Utiliser uniquement dans des endroits secs.

ÉVITER la manipulation par force brute lors du transport ou de l'utilisation.

NE PAS exposer toute partie de l'appareil à une flamme nue ou à de la fumée. Éloignez l'appareil des sources de chaleur telles que les radiateurs, les registres de chaleur, les poêles ou d'autres appareils (y compris les amplificateurs) qui produisent de la chaleur. NE PAS utiliser l'appareil dans des environnements extrêmes et/ou sévères.

Remplacez les fusibles par des fusibles de même type et de même calibre uniquement. N'essayez jamais de contourner un fusible. Unité munie d'un seul fusible côté Ligne.

NE PAS faire fonctionner l'appareil si le cordon d'alimentation est effiloché, serti, endommagé et/ou si l'un des connecteurs du cordon d'alimentation est endommagé et ne s'insère pas facilement dans l'appareil. NE JAMAIS forcer un connecteur de cordon d'alimentation dans l'appareil. Si le cordon d'alimentation ou l'un de ses connecteurs est endommagé, remplacez-le immédiatement par un nouveau de puissance similaire.

Utilisez strictement une source d'alimentation CA conforme aux codes locaux du bâtiment et de l'électricité et dotée d'une protection contre les surcharges et les défauts à la terre. Utilisez uniquement l'alimentation secteur et les cordons d'alimentation fournis et le connecteur approprié pour le pays d'utilisation. L'utilisation du câble d'alimentation fourni par l'usine est obligatoire pour le fonctionnement aux États-Unis et au Canada.

Laissez une circulation d'air libre et sans obstruction vers le bas et l'arrière du produit. Ne bloquez pas les fentes d'aération.

NE PAS utiliser le produit si la température ambiante dépasse 40 °C (104 °F)

Transportez le produit uniquement dans un emballage adapté ou une valise de transport adaptée sur mesure. Les dommages dus au transport ne sont pas couverts par la garantie.

CONNEXIONS

COUPLAGE AC



Le **NETRON EN6 IP** d'Obsidian Control Systems est classé 100-240V. Ne le connectez pas à une alimentation en dehors de cette plage. Les dommages résultant d'une connexion incorrecte ne sont pas couverts par la garantie.

Amérique du Nord: Un câble avec un connecteur NEMA 15-5P est fourni pour une utilisation avec le EN12i aux États-Unis et au Canada. Ce câble approuvé doit être utilisé en Amérique du Nord.

Le reste du monde: Le câble fourni n'est pas équipé d'une fiche spécifique au pays. Installez uniquement une fiche qui répond aux codes électriques locaux et nationaux et qui est adaptée aux exigences spécifiques du pays.



Un connecteur de type prises à 3 broches et à terre (type d'alimentation en terre) doit être installé en suivant les instructions du fabricant de la prise.

CONNEXION DMX:

Toutes les sorties DMX sont des prises XLR femelles à 5 broches; le branchement sur toutes les prises est de la broche 1 au blindage, la broche 2 au froid (-), et la broche 3 au chaud (+). Les broches 4 et 5 ne sont pas utilisées. Connectez les câbles DMX aux ports respectifs avec précaution.

Pour éviter de endommager les ports DMX, fournissez un soulagement de tension et un support. Évitez de connecter des Snakes FOH directement aux ports.

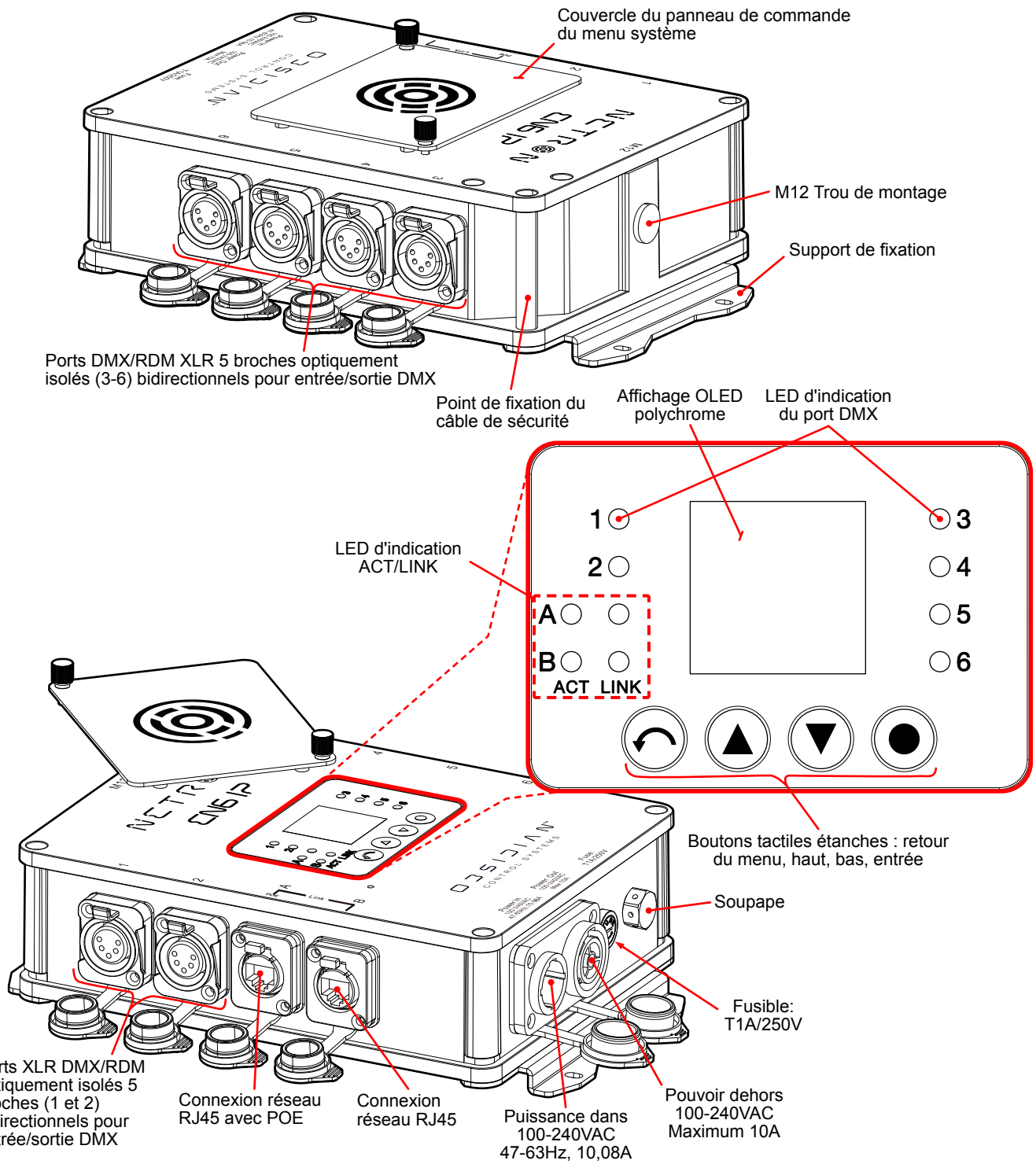
Pin	Connexion
1	Com
2	Data -
3	Data +
4	Non connecté
5	Non connecté

CONNEXIONS DE DONNÉES ETHERNET

Le câble Ethernet est connecté à l'arrière du concentrateur dans le port A ou B. Les appareils peuvent être chaînés en grappe, mais il est recommandé de ne pas dépasser 10 Netron dans une chaîne. Comme ces appareils utilisent des connecteurs RJ45 verrouillables, et l'utilisation de câbles Ethernet RJ45 verrouillables est recommandée, tout connecteur RJ45 est adapté.

La connexion Ethernet est également utilisée pour connecter un ordinateur au dispositif Netron pour la configuration à distance via un navigateur web. Pour accéder à l'interface web, entrez simplement l'adresse IP affichée dans l'affichage dans n'importe quel navigateur web connecté au dispositif. Des informations sur l'accès web peuvent être trouvées dans le manuel.

CONNEXIONS



LED Color	Solid	Blink	Flashing/Strobing
PORTS DMX RGB	Erreur		
PORTS DMX RGB	DMX DANS	DMX PERDU	
PORTS DMX RGB	DMX OUT	DMX PERDU	
PORTS DMX BLANC			Flash sur les paquets RDM

Tous les LEDs sont réglables en intensité et peuvent être éteints via le Menu/Système/Affichage.

INSTRUCTIONS D'INSTALLATION



DÉBRANCHEZ L'ALIMENTATION AVANT D'EFFECTUER TOUTE MAINTENANCE !



CONNEXIONS ELECTRIQUES

Un électricien qualifié doit être utilisé pour toutes les connexions et/ou installations électriques.



SOYEZ PRUDENT LORS DE LA LIAISON D'ALIMENTATION D'AUTRES MODÈLES D'APPAREILS CAR LA CONSOMMATION D'ÉNERGIE D'AUTRES MODÈLES D'APPAREILS PEUT DÉPASSER LA PUISSANCE DE SORTIE MAXIMALE DE CET APPAREIL. VÉRIFIEZ LA SÉRIE POUR LES AMPÈRES MAXIMUM.

L'appareil DOIT être installé conformément à tous les codes et réglementations électriques et de construction commerciaux locaux, nationaux et internationaux.

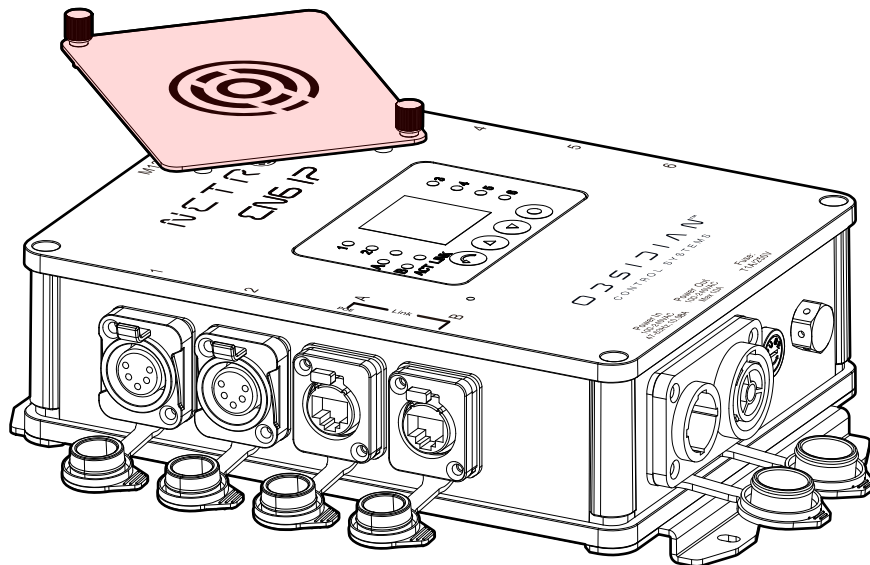


FIXEZ TOUJOURS UN CÂBLE DE SÉCURITÉ LORSQUE VOUS INSTALLEZ CET APPAREIL DANS UN ENVIRONNEMENT SUSPENDU AFIN DE VOUS ASSURER QUE L'APPAREIL NE TOMBERA PAS EN CAS DE DÉFAILLANCE DE LA PINCE. L'installation de l'appareil aérien doit toujours être sécurisée avec une fixation de sécurité secondaire, telle qu'un câble de sécurité de calibre approprié pouvant supporter 10 fois le poids de l'appareil.



HOUSSE DE PROTECTION AMOVIBLE

Le couvercle métallique est uniquement destiné à protéger l'écran en verre contre les dommages mécaniques. Bien que cela ne soit pas nécessaire pour la protection IP de l'IP EN6, il est conseillé de le laisser installé après la configuration de l'unité.

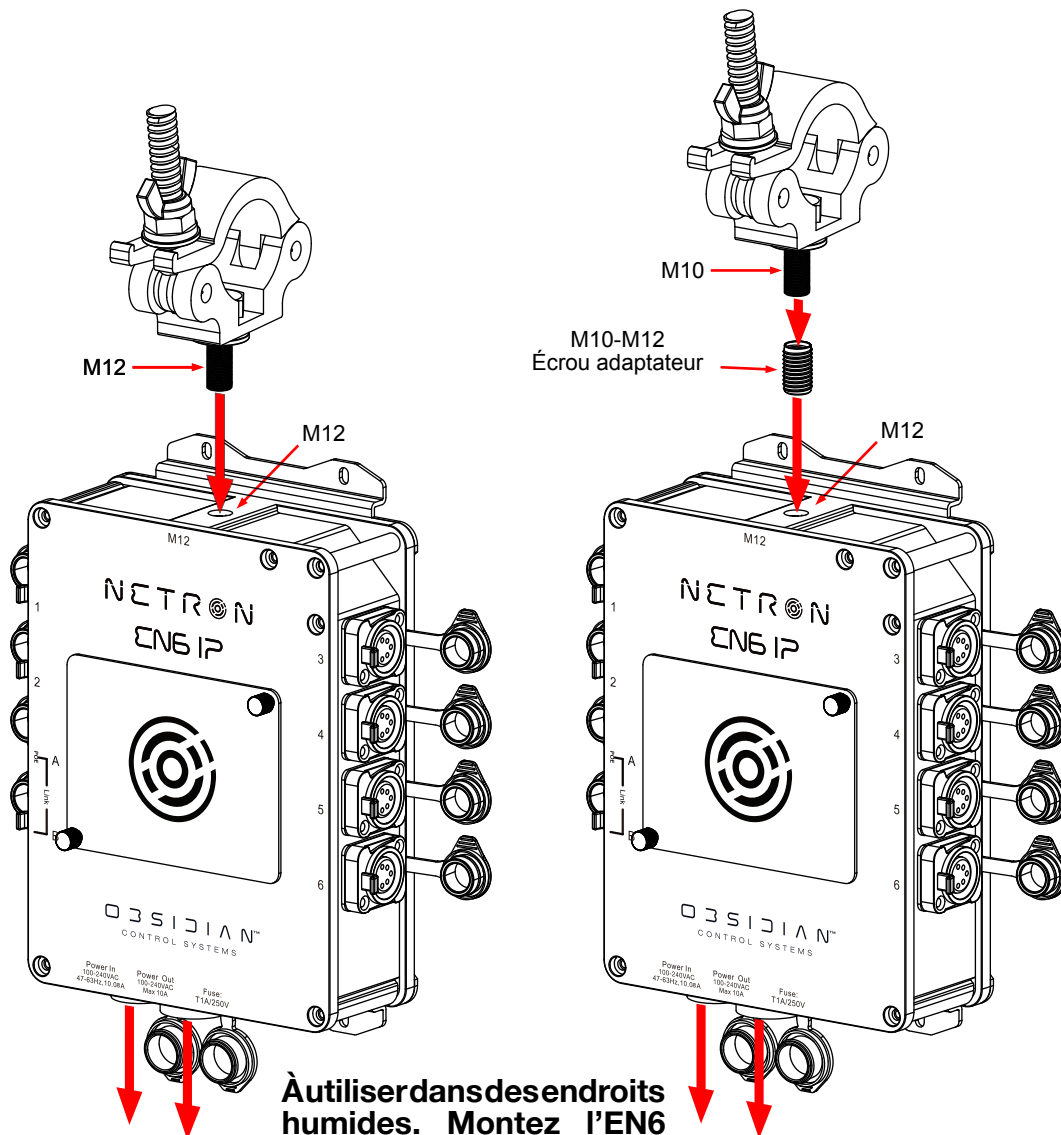


INSTRUCTIONS D'INSTALLATION

MONTÉ SUR TREILLIS AVEC PINCE

Cette unité peut être montée sur une ferme à l'aide d'un boulon M10 ou M12. Pour le boulon M12, comme illustré à gauche, insérez simplement le boulon dans une pince de montage correctement dimensionnée, puis vissez le boulon dans le trou de montage correspondant sur le côté de l'appareil et serrez fermement. Pour un boulon M10, comme indiqué à droite, insérez l'écrou adaptateur inclus dans le trou de montage de l'appareil, puis vissez votre boulon M10. La pince peut maintenant être utilisée pour fixer l'appareil à une ferme. Utilisez toujours une pince conçue pour supporter le poids de l'appareil et de tous les accessoires associés.

VEUILLEZ NOTER QUE TOUS LES PORTS DE CONNEXION INUTILISÉS DOIVENT ÊTRE SCELLÉS À L'AIDE DES CAPUCHONS DE PORT INCLUS AFIN DE MAINTENIR L'ÉVALUATION IP66 !



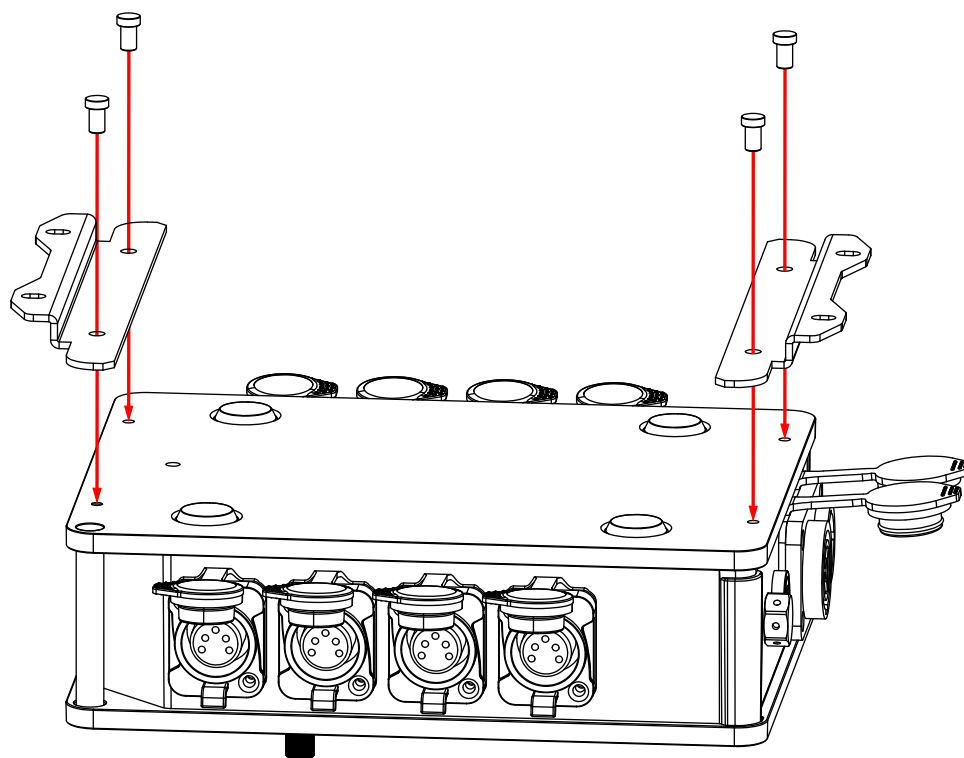
À utiliser dans des endroits humides. Montez l'EN6 IP avec les connexions d'alimentation orientées vers le bas.

INSTRUCTIONS D'INSTALLATION

MONTÉ AU MUR

Retournez l'appareil pour exposer les trous de montage sur la face inférieure. Alignez les trous circulaires de la large section de bride de chaque support de montage mural (inclus) avec les trous de montage de chaque côté de l'appareil, puis insérez les vis (incluses) pour fixer les supports de montage mural en place. Reportez-vous à l'illustration ci-dessous. Les trous allongés sur la bride étroite de chaque support peuvent ensuite être utilisés pour fixer l'appareil à un mur. Assurez-vous toujours que la surface de montage est certifiée pour supporter le poids de l'appareil et de tous les accessoires associés.

VEUILLEZ NOTER QUE TOUS LES PORTS DE CONNEXION INUTILISÉS DOIVENT ÊTRE SCÉLLÉS À L'AIDE DES CAPUCHONS DE PORT INCLUS AFIN DE MAINTENIR L'ÉVALUATION IP66 !



MAINTENANCE

Les systèmes de contrôle Obsidian NETRON EN6 IP sont conçus comme des appareils robustes et en état de rouler. Le seul service requis est le nettoyage occasionnel. Pour d'autres problèmes liés au service, veuillez contacter votre revendeur Obsidian Control Systems ou visiter www.obsidiancontrol.com.

Tout service qui n'est pas décrit dans ce guide doit être effectué par un technicien formé et qualifié d'Obsidian Control Systems.

Ne vaporisez jamais de nettoyant directement sur la surface de l'appareil ; vaporisez toujours sur un chiffon non pelucheux et essuyez le. Pensez à utiliser des produits de nettoyage conçus pour les téléphones portables et les tablettes.



Important! La poussière excessive, la saleté, la fumée, l'accumulation de liquide et d'autres matériaux peuvent dégrader les performances des appareils EN6IP, provoquant une surchauffe et des dommages à l'unité qui ne sont pas couverts par la garantie.

SPÉCIFICATIONS

MONTAGE:

- Standalone
- Montage sur ferme (M10 ou M12)
- Montage mural

CONNEXIONS:

- **Devant:**

- Écran OLED couleur
- LED de retour d'état
- 4 boutons de sélection de menu

Bas

- Verrouillage de l'alimentation IP65
- Porte-fusible
- Événement

Gauche:

- (2) ports DMX/RDM optiquement isolés IP65 5 broches
- Les ports sont bidirectionnels pour l'entrée et la sortie DMX
- (2) Verrouillage des connexions réseau Ethernet IP65 RJ45 (1x POE)

Droite

- (4) ports DMX/RDM 5 broches isolés optiquement
- Les ports sont bidirectionnels pour l'entrée et la sortie DMX

PHYSIQUE

- Longueur : 204 mm (8.0 po)
- Largeur : 179 mm (7.1 po)
- Hauteur : 60,8 mm (2.4 po)
- Poids : 2 kg (4.41 livres)

ÉLECTRIQUE

- 100-240 V nominal, 50/60 Hz
- POE 802.3af
- Consommation électrique : 6 W

APPROBATIONS / NOTATIONS

- cETLus/CE/UKCA/IP66

COMMANDE:

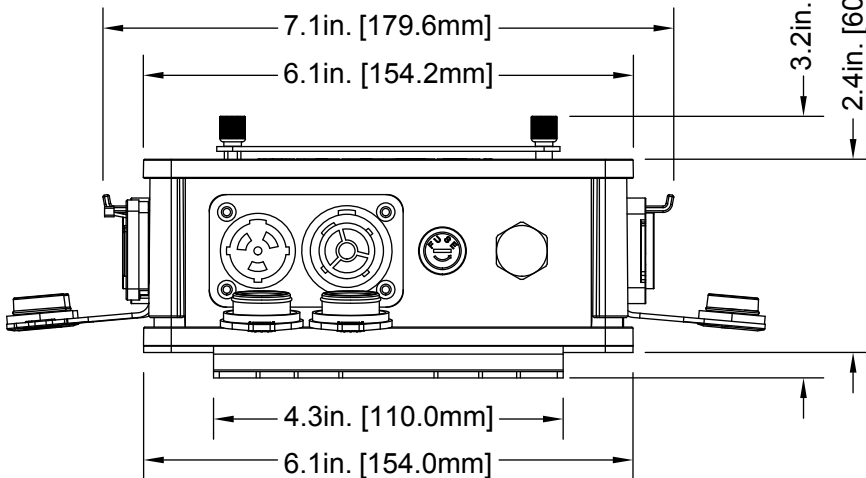
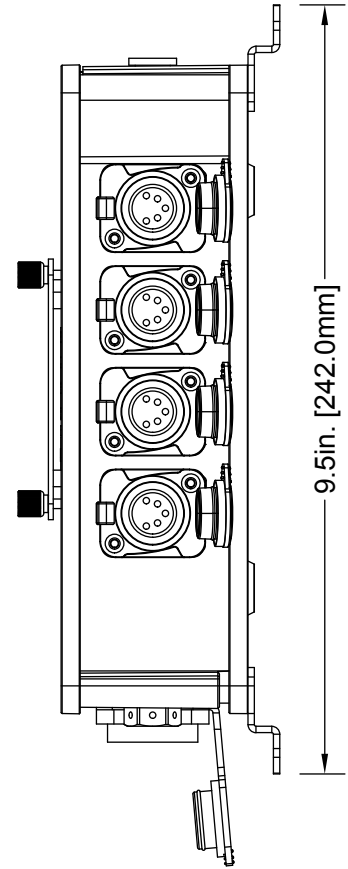
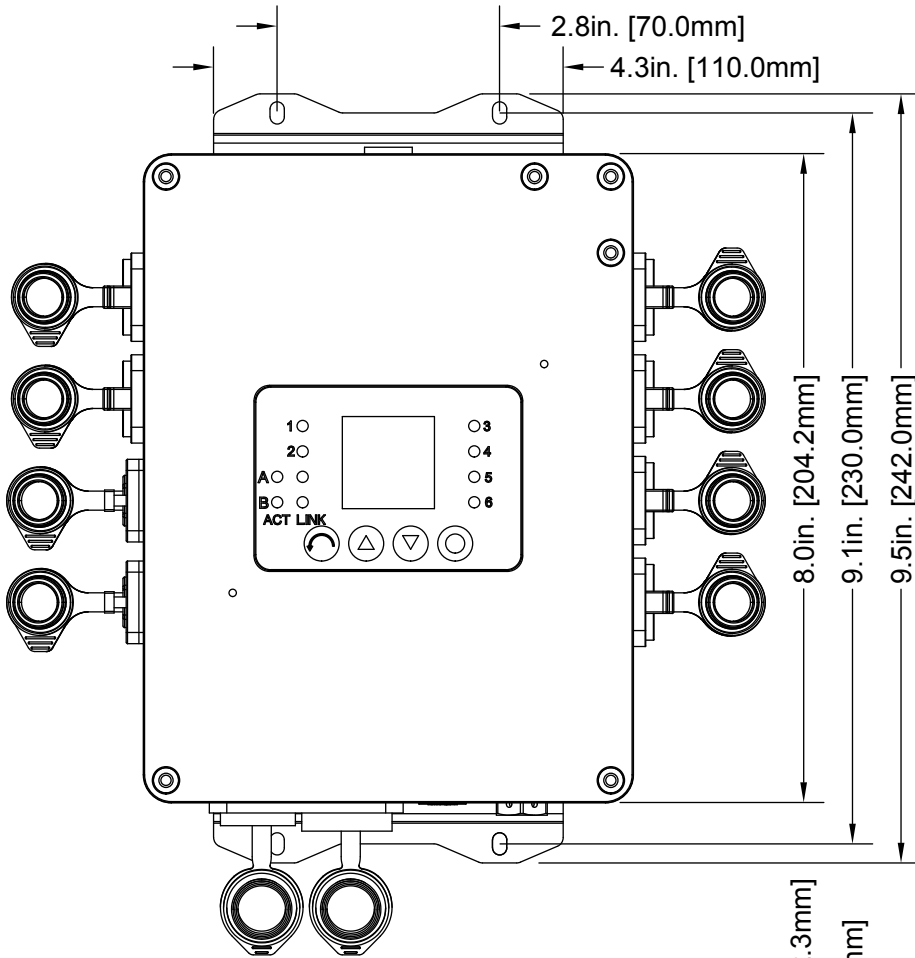
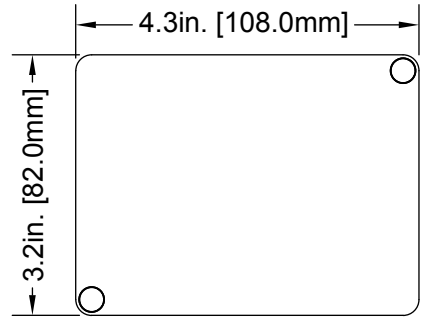
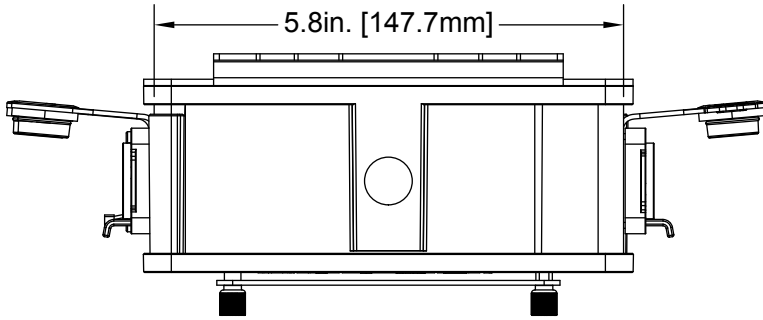
ARTICLES INCLUS

- (2) Supports de montage mural
- (1) Écrou M12 à M10
- Câble d'alimentation verrouillable IP65 de 1,5 m (version UE ou US)
- Cache de protection d'écran en métal

UGS

- Numéro américain : NIP013
- N° UE : 1330000084

DIMENSIONS



DÉCLARATION FCC

Avertissement de classe A de la FCC :

Veillez noter que les changements ou modifications de ce produit qui ne sont pas expressément approuvés par la partie responsable de la conformité peuvent annuler l'autorité de l'utilisateur à utiliser cet équipement.

REMARQUE : cet équipement a été testé et déclaré conforme aux limites d'un appareil numérique de classe A, conformément à la partie 15 des règles de la FCC. Ces limites sont conçues pour fournir une protection raisonnable contre les interférences nuisibles lorsque l'équipement est utilisé dans un environnement commercial. Cet équipement génère, utilise et peut émettre de l'énergie de radiofréquence et, s'il n'est pas installé et utilisé conformément au manuel d'instructions, peut causer des interférences nuisibles aux communications radio. L'utilisation de cet équipement dans une zone résidentielle est susceptible de provoquer des interférences nuisibles, auquel cas l'utilisateur devra corriger les interférences à ses propres frais.



